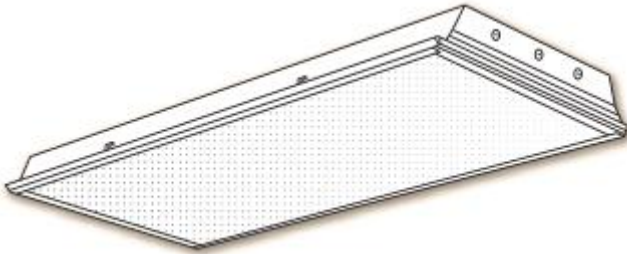


LED RECESSED TROFFER FIXTURE SERIES

THE HIGH PERFORMANCE

*LED Fixture Series for
New Construction and
Offices.*

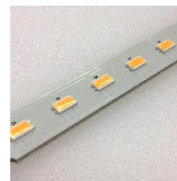


KEY FEATURES INCLUDE:



Multiple Color Options

Ensure that the new lighting will match your current aesthetics, and allows for custom color options.



Long Lasting LED Chips

L₉₀ in excess of 100kHrs



10 Year Warranty

Industry Leading 10 Year Warranty on all LEDs and external drivers.



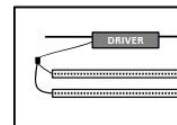
High Color Rendering

Colors are enhanced due to the use of LEDs selected directly on the black body curve



Manufactured in America

With domestic and imported components. Factory: Southeastern PA. Higher quality control, faster delivery times, and new domestic job creation.



Independent Class II Driver

Safety, improved thermal management, and extended lifetime are gained by locating the driver remote from the LED Engine.

LED RECESSED TROFFER FIXTURE SERIES



LED RECESSED TROFFER FIXTURE SERIES

LENGTH OPTIONS:

2' X 2' & 2' X 4'

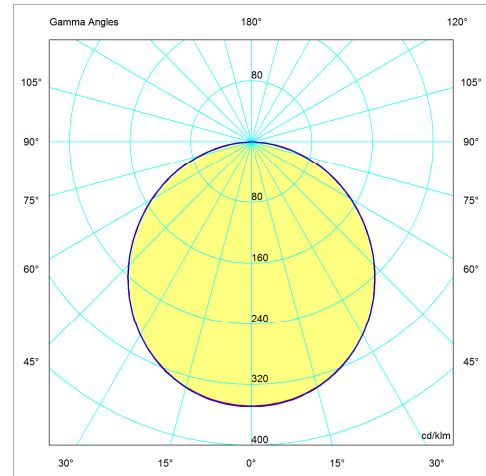
OUTPUT WATTAGE (See table below)

COLOR OPTIONS:

2700K, 3000K, 3500K, 4000K, 5000K standard⁵

CRI – 85

DIMMING - standard

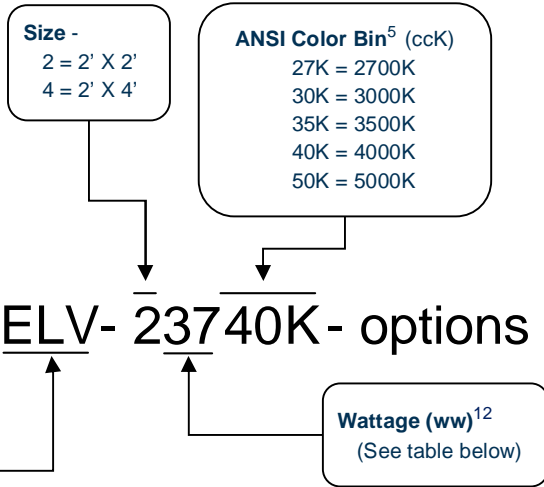
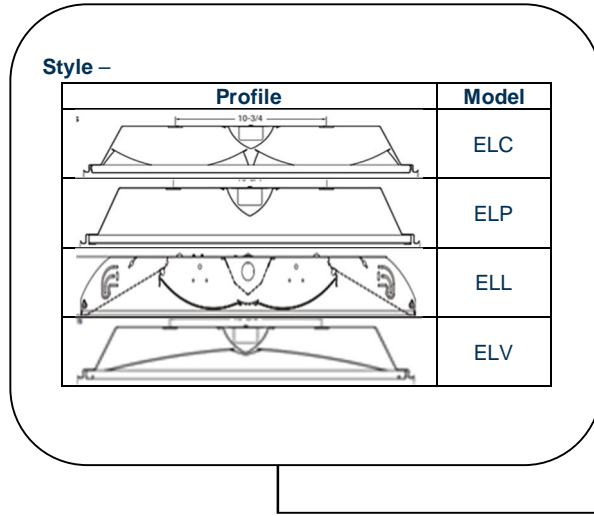


Specification Table	
Environmental Operation/Storage	-4°F to +140°F/(-20°C to +60°C)
Wattage	See chart below ¹² (±10%)
Input Voltage (nominal)	100-277VAC 50/60Hz .8-.3A ⁹
Power Factor (PF)	>0.9
Total Harmonic Distortion (ATHD)	<20%
Life Time	>100kHrs
Rated Life LED Engine per TM-21	Calculated L ₇₀ (10k) = 398kHrs ¹⁶
LED Driver	Calculated L ₉₀ (10k) = 102kHrs
Lifetime - MBTF ² -	Reported L ₇₀ (10k) >60kHrs
LM80 Data	NVLap Accreditation
LED Type	SMD 5630
Efficiency	>125lm/W ¹² (See table below)
Lens Material	Acrylic ¹⁵
Energy Consumption [nominal]	16 kWh/1000 h
Certifications	cUL, UL, FCC, DLC
Warranty ¹⁷	LED Driver - 10 years
	LED Strip - 10 years
	Fixture - 10 years
Dimming	<20%-100% (See table below) 0-10V
Off State Power Consumption	0 Watts
On State	Instantaneous

Package Information	
Standard Package	Case
Quantity	1 Unit
Sales Units	1 Unit
Package Items	1 Unit Complete
Weight lbs(kg)	Others consult factory
(2' X 2')	12 (5.5)
(2' X 4')	22 (10)



LED RECESSED TROFFER FIXTURE SERIES




Options

- BAT (100mA, 4W)
- BAT (200mA, 8W)
- EXT DIM
- DAY HAR[VESTING]
- 2nd WIRE ENTRY COVER

Most Popular:

- ELP-22840K
- ELP-45740K
- ELP-43740K

(DLC 3.1 // Cat - 6 // Use - s // Premium)

 Click Here	ELP-43727K	ELP-45727K
	ELP-43730K	ELP-45730K
	ELP-43735K	ELP-45735K
	ELP-43740K	ELP-45740K
	ELP-43750K	ELP-45750K

Model	Lumens ¹² @5000K (-12% to 2700K)			
	2' X 2'		2' X 4'	
	28W	40W	37W	57W
ELC	3500	4900	4900	6900
ELP	3450	4875	4875	6925
ELL	3500	4900	4900	6900
ELV	3500	4900	4900	6900

Profile	Model
	ELC
	ELP
	ELL
	ELV



Notes

1. Not all model combinations are available
2. MBTF per MIL-HDBK-217F
3. Extended lead times and minimums maybe required for some models
4. N/A
5. Other ANSI Color bins available
6. N/A
7. N/A
8. Extended warranties are available
9. Non-UL applications (Some Models)
10. N/A
11. Specifications and availability subject to change without notice
12. Varies depending on color temperature, CRI, LED driver and lens ($\pm 10\%$)
13. N/A
14. EPC Act - 179d tax incentive ready product given dimming bi-level switching requirements
15. Certain chemicals that may exist in end-user locations release airborne contaminants that can impact the integrity and safety of key fixture components that contain acrylic or polycarbonate material.
16. Worst case temperature for ELP-457 @25°C ambient.
17. Consult website for further details.

Compliance Standards

- UL 1993 - Self-Ballasted Lamps and Lamp Adapters, Ed. 4: 2012
- UL 1598 - Luminaires
- UL 1598C - Light-Emitting Diode (LED) Retrofit Luminaire Conversion Kits
- UL 8750 - Standard for Light Emitting Diode (LED) Equipment for Use in Lighting Products, Ed. 1: 2009
- CSA C22.2 No. 250.13 - Light emitting diode (LED) equipment for lighting applications, Ed. 1222012
- EN 62471:2008 - Photo Biological Safety of Lamps and Lamp Systems
- EN 62031:2008 - LED modules for general lighting. Safety specifications
- EN 61347-1:2008 - Lamp controlgear. General and safety requirements
- EN 55015:2006 - Limits and methods of measurement of radio disturbance characteristics of electrical lighting and similar equipment
- EN 61347-2-13:2006 - Lamp controlgear. Particular requirements for d.c. or a.c. supplied electronic control gear for LED modules
- EN 61000-3-2:2006 - Electromagnetic compatibility (EMC). Limits. Limits for harmonic current emissions
- EN 61000-3-3:2008 - Electromagnetic compatibility (EMC). Limits. Limitation of voltage changes, voltage fluctuations and flicker in public low-voltage supply systems
- EN 60598-1:2008 - Luminaires. General requirements and tests
- EN 61547:2009 - Equipment for general lighting purposes. EMC immunity requirements
- FCC Part 15, Subpart B, Class B -
- ANSI/ANSI G C78.81-2010 - Electric Lamps-Double-Capped Fluorescent Lamps-Dimensional and Electrical Characteristics
- ANSI/NEMA/ANSI G C78.377-2008 - American National Standard for Specifications for the Chromaticity of Solid State Lighting (SSL) Products
- ISO-9001:2008 Certification - The International Organization for Standardization fosters consistency in product delivery and quality assurance
- IEC 60529-2004 - Degrees of Protection Provided by Enclosures (IP Code)

